

LAMELLA SETTLER

FUNCTION

Equipment designed for continuous settling of suspended solids from water. Through the installation of lamellar modules, in the settling chamber, the effective surface of settling is increased, to improve the efficiency of settler and reduce significantly the surface area of tanks. Producing more compact and efficient equipment.

This system can be used for wastewater as well as purification plants.

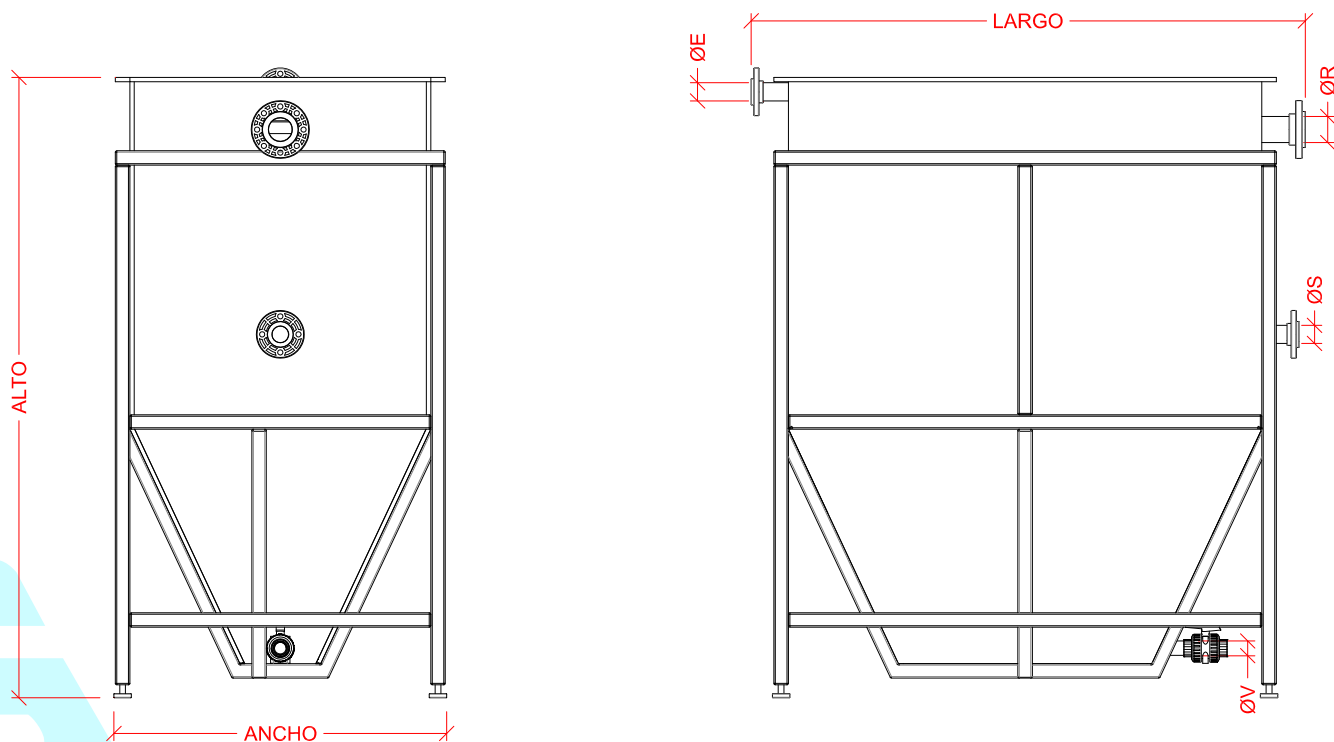
APPLICATIONS

- Potable water clarifier
- Treatment of grey water
- Settling of surface and underground water
- Tertiary treatment
- Fish farms
- Industrial water

CHARACTERISTICS

- Salher brand, model DE-LA.
- Tank manufactured in heat-sealed polypropylene.
- Outer frame manufactured in stainless steel AISI 304. Optional: stainless steel AISI 316.
- Lamella manufactured in PVC. Slope angle 60°.
- Upper collection canal to collect clarified water.
- Flanged inlet, outlet and overflow connection.
- Ball valve installed on vacuum connection.
- Equipment can be dismantled inside to facilitate the lamella removal.
- Option: maintenance footbridge with access ladder, metal grid and flocculator pipe.

OBSERVACIONES: Debido al continuo desarrollo de nuestros productos, Salher Ibérica, S.L. se reserva el derecho de modificar los datos que aparecen en esta hoja informativa sin previo aviso. Plazos de entrega expresados en días laborables y a partir de la conformidad por nuestra parte del pedido. Las condiciones generales de venta de Salher, están a disposición de nuestros clientes, en caso de duda.



MODEL	FLOW [m ³ /h]	LENGTH [mm]	WIDTH [mm]	HEIGHT [mm]	ØE	ØS	ØR	ØV
DE-LA 5	5	2000	1200	2150	2"	3"	2"	1 1/2"
DE-LA 10	10	2850	1200	2150	3"	4"	3"	1 1/2"
DE-LA 25	25	3200	2200	2150	4"	6"	4"	1 1/2"
DE-LA 50	50	5800	2200	2150	4"	6"	4"	1 1/2"
DE-LA 100	100	10200	2200	2150	4"	6"	4"	1 1/2"

OBSERVACIONES: Debido al continuo desarrollo de nuestros productos, Salher Ibérica, S.L. se reserva el derecho de modificar los datos que aparecen en esta hoja informativa sin previo aviso. Plazos de entrega expresados en días laborables y a partir de la conformidad por nuestra parte del pedido. Las condiciones generales de venta de Salher, están a disposición de nuestros clientes, en caso de duda.